

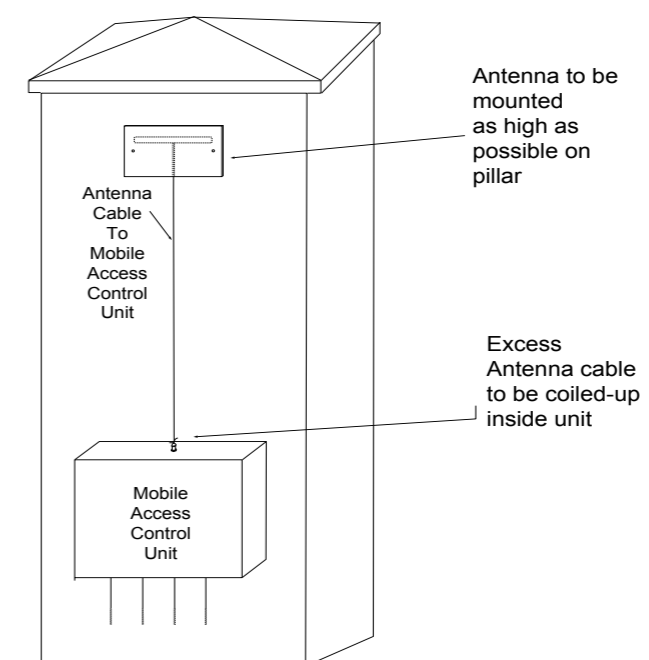
# Mobile Entry

## Wiring and Installation Manual Intercom – Videx Multiple Button

### Installing the Mobile Access Control Unit

1. Mount the Mobile Access control unit on a pillar close to the main gate controller.
2. Mark the wall for holes for mounting the enclosure.
3. Drill 4 holes and mount the enclosure.
4. Mount the antenna high up the pillar wall using two screws to hold the antenna housing. See diagram below.
5. Pull any excess antenna cable back into the mobile access enclosure.
6. Mount the Intercom on the gate side of the entrance.
7. Connect the unit as shown in the Wiring Diagram on the following pages.
8. Once all wiring is completed you **MUST** close all cable glands coming out of the Mobile Access unit.

### Installing Antenna & Mounting Plate

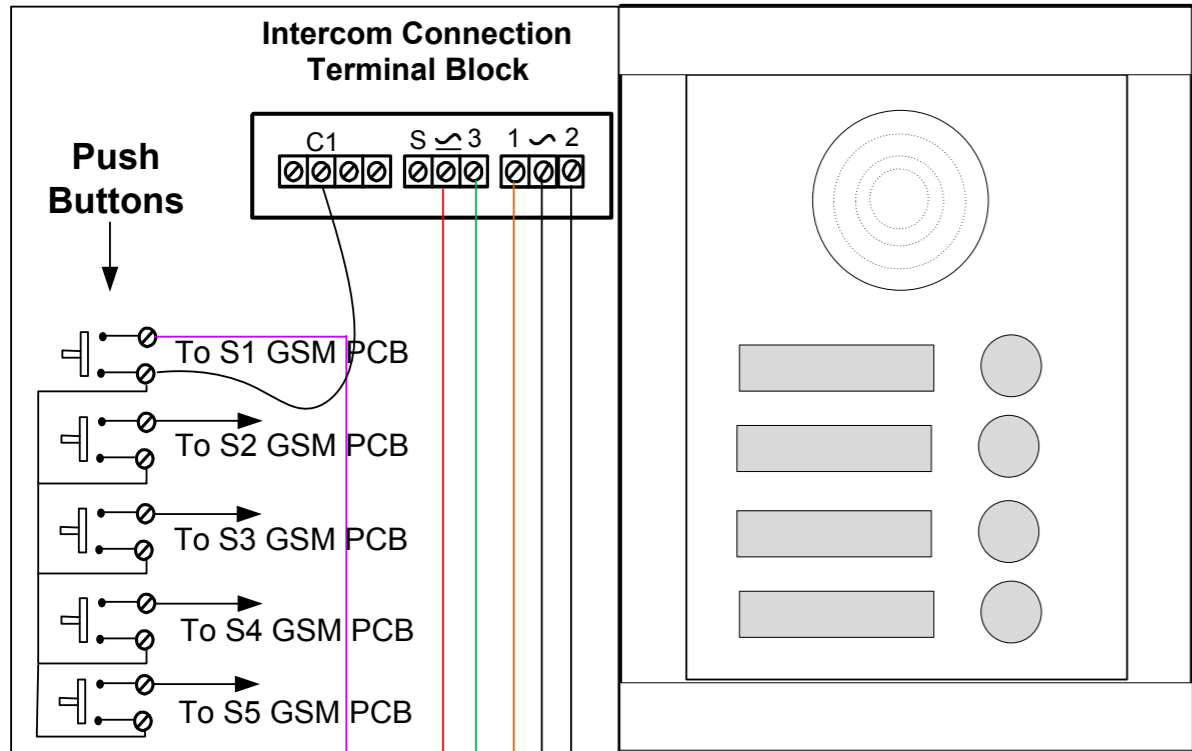


GSM Unit				OUT +	4	3	OUT -	2
Intercom	C1			✓	3	1	✓	2

**Connection Key**

**Wiring Diagram**

**Intercom**

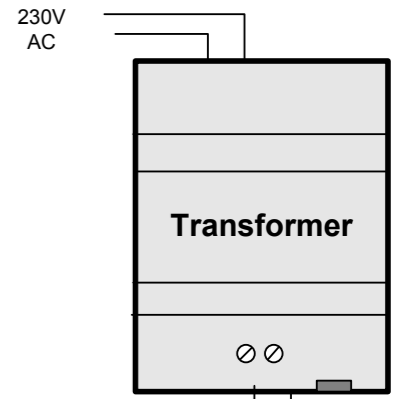
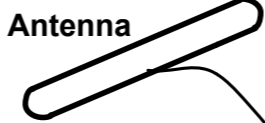


**Network Register Status.**

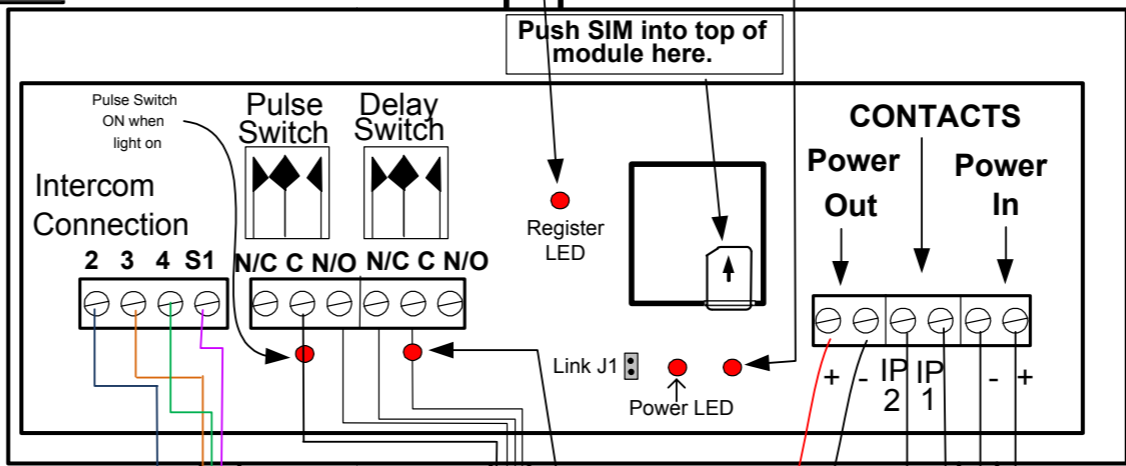
1. Flashing ever Second = NOT Registered
2. Flashing every 3 seconds = Registered.

**Mobile Network Signal Strength.**

1. On Steady: Strong Signal
2. Flashing: Acceptable Signal.
3. Off: No Signal.



**Mobile Entry – Intercom Control Unit.**



To Power Out

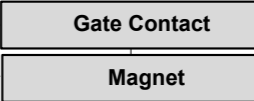
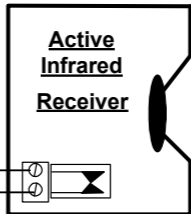
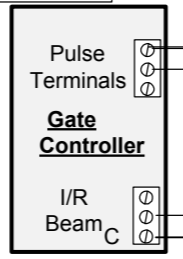
To 2 & 3 Intercom Connection

To S1

\* Connect the **Normally Open** contacts of the Pulse Switch.

\* Connect the **Normally Closed** contacts of the Delay Switch.

To the contacts of the pulse relay in the keypad



**Link J1 is used to Enable or Disable the function associated with the gate contacts.**

Jumper On = Contacts connected so Gate Status operational.

Jumper OFF = Contacts Not connected so Gate Status NOT operational.

13 V AC