

**Voyager - 50**

**Mobile Entry Plus**

**(VME Plus)**

**Installer Manual**

Device Telephone Number: \_\_\_\_\_

## Installation Steps

**1. If there is a SIM installed in the GSM device skip to step 3.**

**2. If there is no SIM installed then you will have to**

A) Obtain a SIM with at least 10 euro credit.

B) When obtaining the SIM ask that voice mail is turned off.

C) Vodafone PAYG SIM cards don't have a PIN number on the SIM.

But other operators still put a security PIN on their SIM cards. This must be removed before using the SIM on the GSM device.

D) Place the SIM into the SIM card slot on the GSM device. See the wiring diagram at the end of this document, to see how the SIM is entered.

**3. Wire up the GSM device as shown on the wiring diagram(see later in this document).**

The GSM device can be powered by +12V to +24V DC or +12V to +24V AC.

- The Power Supply must be capable of supplying 1.0 Amps to the GSM device.

**4. Apply power to the GSM unit.**

Initially the Register light will flash every second but it will then start to flash every 3 seconds to show it has registered on the network.

**5. Give the Unit about 2 minutes to register when first turned on.**

When the Signal Strength light is on constantly or flashing the unit has registered on the network. If the signal strength light fails to light at all you may have to change the position of the device to pick up a GSM signal.

### Test Operation - Place a Telephone Call to the Device.

**6. Call the GSM device from your mobile or from a landline telephone.**

The GSM unit defaults to open access so with no programmed Telephone numbers any caller can open the gate.

The GSM device sees the incoming call and hangs up the call. The GSM unit will pulse the Pulse Switch(See the pulse switch on the wiring diagram on the last page). This is a no cost call.

## Programming Phone Numbers into the GSM device.

### 7. Programming phone numbers into numbered locations.

To change the device from having open access you simply have to program the phone numbers you want to have access into the device. Once numbers are programmed then only these numbers will have access. Telephone numbers programmed into the GSM device are called Open Numbers. They act to open the gate or door.

Numbers can be programmed per location or just put into any empty location.

Send this text.

Open 1 xxxxxxxxxx

Receive This Text Response

Open number xxxxxxxx  
Programmed.

Note 1: xxxxxxxxxxxx is the telephone number of the person you want to be able to open the gate or door.

Note 2: Make sure there are no spaces in the telephone number text. Also make sure the response received is valid and has the correct number you programmed.

Fifty numbers can be programmed into the phone list of the GSM Unit. Use the following Text commands:

open 2 xxxxxxxxxx

open 3 xxxxxxxxxx

.....

open 50 xxxxxxxxxx

### 8. Programming phone numbers into free locations.

To program a number into any free location send the following command

Send this text.

Open xxxxxxxxxx

Receive This Text Response

Open number xxxxxxxx  
Programmed.

### 9. Removing Phone Numbers.

Send this text.

Remove xxxxxxxxxx

Receive This Text Response

Open number xxxxxxxx  
removed.

Note 1: xxxxxxxxxxxx is the telephone number of the person you want to remove from being able to open the gate or door.

Note 2: If a telephone number is stored more than once in the device then this command will only remove the first occurrence it finds. Other occurrences will remain.

**10. To Check Numbers in the Phone List.**

For example to check what number is programmed into the first phone number in the list.

Send this text.

Send open 1

Receive This Text Response

open 1 xxxxxxxxxxx

Fifty numbers can be programmed into the phone list of the GSM Unit. Use the following Text commands, to check the numbers programmed:

Send open 2

Send open 3 .....

.....

Send open 50

**Test Operation – Send an SMS Text to the Device.**

**11. The GSM device can be controlled by sending an SMS Text to it.**

For example to open the gate for 20 minutes

Send this text.

Gate Open 20

Receive This TxT Response

Gate txt received.

The gate will open and then close after 20 minutes.

**Note:** For this mode of operation to function; when the Pulse Relay is latched the gate controller must hold the gate open. This is dependent on the configuration of the gate controller.

**12. The table below lists additional SMS Text commands that can be used to control the GSM device.**

Text to Send	Response received	Result <span style="float: right; border: 1px solid black; padding: 2px;">**New**</span>
Set Y xxxxxxx xxxxxxx xxxxxxx ...	Phone numbers from Y Programmed (Y is first number location so: replaced by 1 or 11 or 22 if programming 10 numbers.....)	A number of telephone numbers can be set. Up to a maximum of ten numbers. The location of the first number to set is given(Y) followed by the phone numbers to set(xxxxxxxx .....xxxxxxx.....) <u>Example:</u> Set 1 0852323233 0662424242 will set the first 2 Open Numbers.
Get Y	Open Number 1 872730901 2 872730902 3 .....	10 numbers can be requested from the device, starting with location Y. <u>Example:</u> Get 1 will get the first 10 Open Numbers. Get 40 will get the last 10 Open Numbers.
Gate open	Gate txt received	Open the gate permanently
Gate close	Gate txt received	Close the gate permanently
Gate open XXX	Gate txt received	Open the gate for XXX minutes. This command can work for 5 minutes or many hours such as 8, 12 or 16 hours
Test	GSM Gate unit test Call	This text can confirm the device is on the network and has credit to send an SMS Text response.
Pulse time XX	Pulse time XX	Change Pulse Switch, pulse time to XX seconds. The default is 3 seconds. Only use this if the Gate Controller requires a different pulse time.
default	Restored to Factory Settings.	Return the GSM device to the factory default settings. ** All phone numbers will be cleared **

Gate Lock on	Gate Lock on	This function locks access from people ringing into the device.
Gate Lock off	Gate Lock off	This function allows access to people ringing into the device.

**Options for Security Settings**

If extra security is required when using the GSM Unit it is possible to enable a requirement for a security code when configuring the unit.

When the security code is on, then all text messages sent to the GSM device must be followed by the four-digit security code. The default four-digit code is 8531. The security code is OFF by default when the Unit leaves the factory. It can be turned on as follows:

**13. To Turn on the Requirement for a Security Code.**

Send this text.

code on 8531

Receive This TxT Response

Security code on

**Note:** The command to turn off the code is “code off 8531”

**14. Changing the Security Code.**

Send this text.

Change XXXX YYYY

Receive This TxT Response

Security Code Changed

XXXX is the New Security Code, YYYY is the old Security Code.

Example: Change 1234 8531

**Configure Input 1 and Input 2 for Use.**

**Input 1 is configured to work as follows.**

Wiring a set of contacts as shown in the wiring diagram, into input 1 will allow for the following text command to be sent to determine the gate status.

Send this text.

Gate status

Receive This TxT Response

Gate status open  
OR  
Gate status Closed

**Note 1:** If contacts are not fitted to the gate and wired to the input then this message will always return “Gate Status OPEN”

**Input 2 can be configured to send an SMS text on all gate openings and closings.**

Wire a set of contacts to Input 2 as shown on the wiring diagram and mount on the gate so that they separate when the gate opens

To receive messages from an activation of Input 2 we have to program the phone number to receive text messages. It is important to program the control phone with the principal end users telephone number as this is where credit Top Up warning SMS texts will be sent.

Send this text.

Control phone xxxxxxxxxx
-----------------------------

Receive This TxT Response

Control phone xxxxxxxxxxxxxx programmed.
--

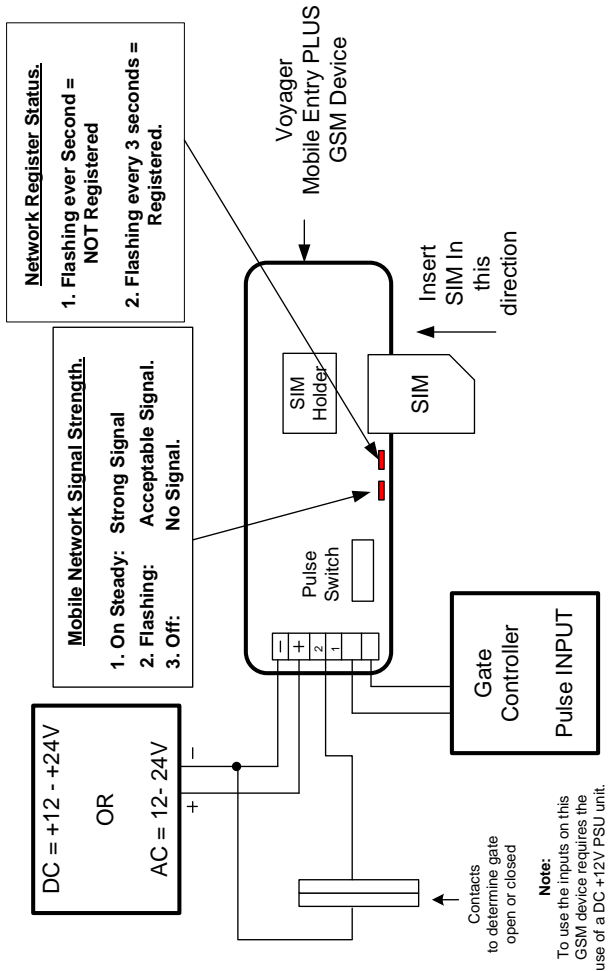
Now when the gate is opened the number programmed above will receive “Gate open” SMS Text.

When the gate is closed the number programmed above will receive “Gate closed” SMS Text.

**15. The table below lists the SMS Text commands that can be used to diagnose problems with an installed GSM device.**

Text to Send	Response received	Result
Diag stored	This returns the stored values recorded over the last 5 days.	Features such as the Signal Strength, ability to register etc. are recorded over the last 5 days, and returned. Also a system health report is calculated and returned.
Diag Live	These are the current values, not yet stored.	

# Wiring Diagram



**2T-Technology**