

Wiring Diagram

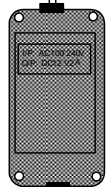
Voyager Mobile Entry Intercom and Access Control Unit

2T-Technology

Signal Strength

1. On Steady: Strong Signal
2. Flashing: Acceptable Signal
3. Off: Low level or No Signal

230 V AC

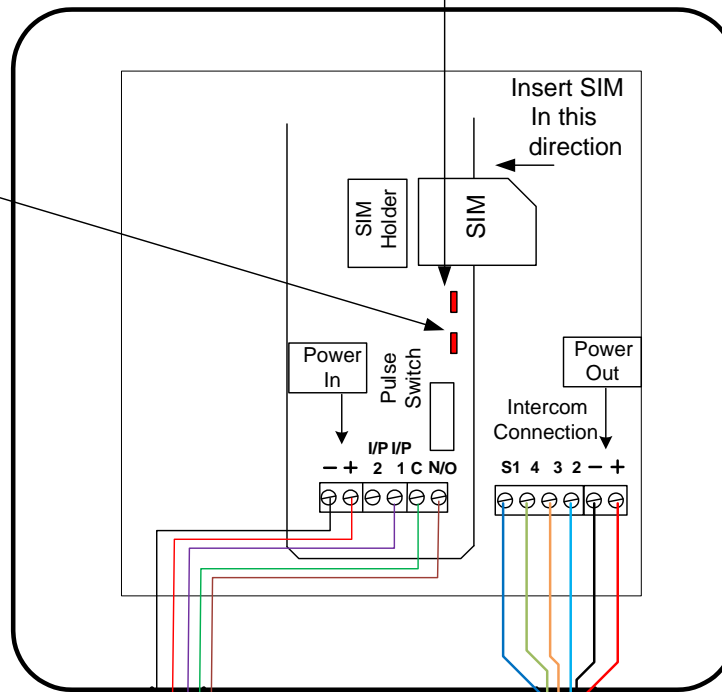


12 V DC

Only One PSU Powers the System

Register Status

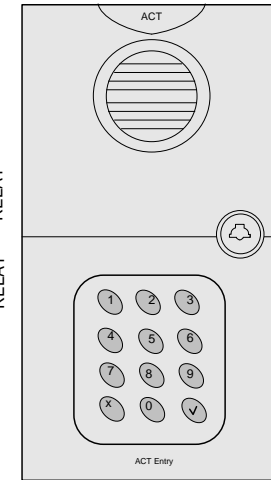
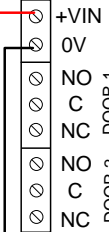
1. Off or On Constantly = NOT Registered
2. Flashing every second = Registered



Connection Key

GSM UNIT	2	3	4	S1
INTERCOM	T	R	0	CALL/1

Power to Intercom



Intercom Connection Terminal Block

Contacts

Magnet

Gate or Door Controller